

HSF RoHS

REVISION RECORD				
REV	ECN	DESCRIPTION	DRFT	DATE
AO		NEW		21.07.26

SPECIFICATIONS

Rated(额定参数): 300V,15A
 Dielectric strength(抗电强度): AC1500V/1 Minute
 Insulation Resistance(绝缘电阻):1000MΩ Min
 Contact Resistance(接触电阻):20mΩ Max
 Screw Torque(扭矩): 0.40Nm (3.5Lb.in)
 Wire Range(线径):12~24AWG
 Strip length(剥线长度):4.5~5mm
 Temp. range(操作温度): -40℃~+105℃
 MAX Soldering(瞬时温度):+250℃,5s

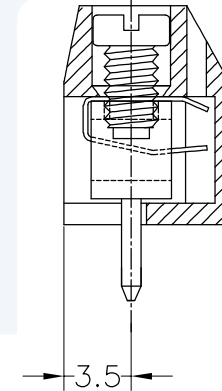
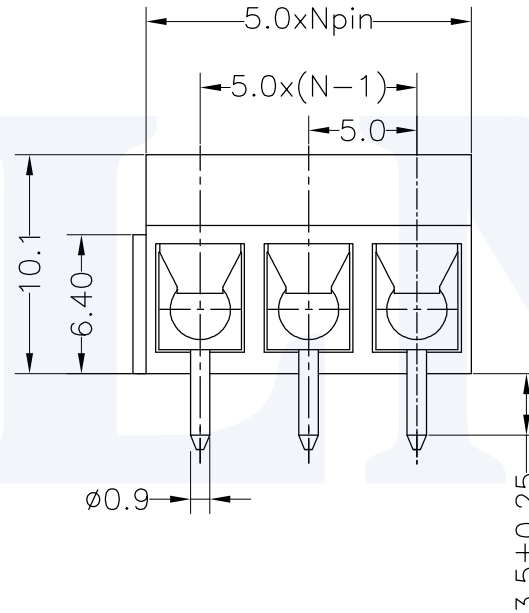
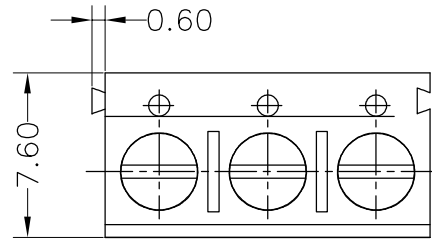
Housing Material(塑件): PA66 (UL94 V-0)
 Contact(端子): Brass, Tin plating(黄铜镀锡)
 Wire protector(弹片): Bronze(磷铜), Ni plating(镀镍)
 Screw(螺丝): M2.5, Steel, Zinc plating(钢,镀锌)

PITCH RANGE IN MM			NOMINAL DIMENSION RANGE IN MM				
TO	OVER	OVER	TO	OVER	OVER	OVER	OVER
6	6	10	30	30	60	100	150
	TO	TO	TO	TO	TO	TO	TO
	10	24	30	60	100	150	150
±0.10	±0.15	±0.25	±0.30	±0.30	±0.50	±0.70	±1.00

Ordering Information

JL 301 - 500 XX G 0 1

Pitch 500=5.0PH
 No.of pins 2P,3P,4P~24P
 Housing Color B=Black, G=Green, U=Blue, R=Red, W=White, Y=Yellow, O=Orange, E=Grey
 Packing 0=Pe bag, T=Tube, A=Tray



DRAW	SHUANGPING ZHENG	SCALE	FIT
CHECK	LICHAO LIU	UNIT	mm
APPROVE	YONGLIANG GAO	SIZE	A4
		SHEET	1/1
		PROJ.	

JILN 东莞市锦凌电子有限公司 DONGGUAN JINLING ELECTRONIC CO.,LTD	
PART NO.	JL301-500XXG01
TITLE:	JL301-5.00-XXP螺钉式/绿色