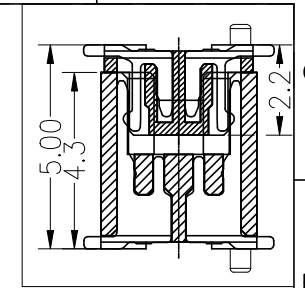
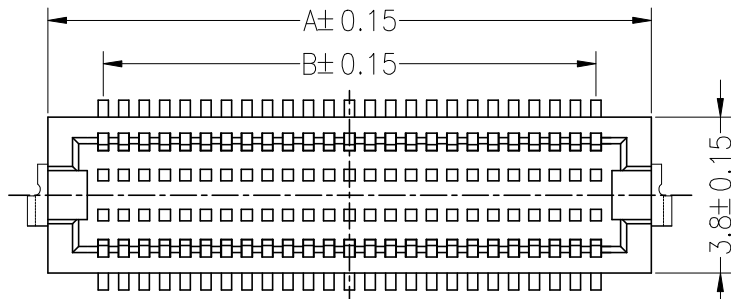


# HSF RoHS

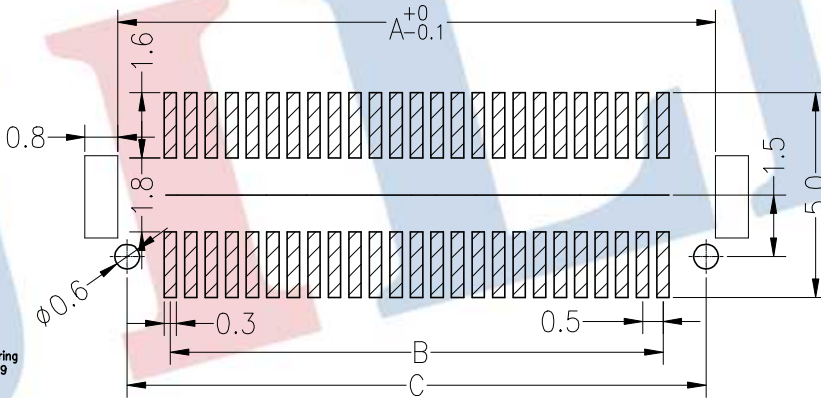
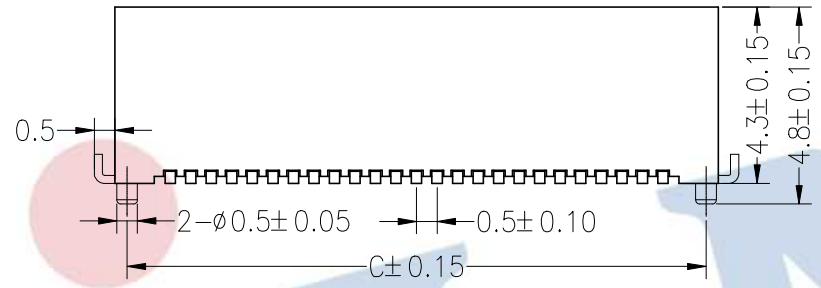
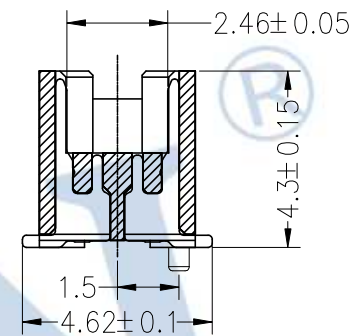
**SPECIFICATIONS**

**PERFORMANCE**

Current rating: 0.5A  
 Voltage rating: 50V DC/AC RMS  
 Insulation Resistance: 500MΩ Min  
 Withstanding voltage: 200V AC/1 minute  
 Contact Resistance: 30mΩ Max  
 Operating Temperature: -40°C to +105°C  
 Contact Material: Phosphor Bronze  
 Contact Plating: Au or Sn over Ni  
 Insulation Material: PA46, UL94V-0  
 Soldering temperature: 260°C±5° 5S



ASSEMBLY



Recommended P.C.B Layout(Top Side)  
 (PCB BOARD TOLERANCE±0.05)

NO. OF Contacts	Dimensions		
	A	B	C
20pin	7.20	4.50	6.60
30pin	9.70	7.00	9.10
32pin	10.20	7.50	10.10
36pin	11.20	8.50	10.60
40pin	12.20	9.50	11.60
50pin	14.70	12.00	12.10
60pin	17.20	14.50	14.10
80pin	22.20	19.50	16.60
100pin	27.20	24.50	21.60

**Ordering Information**

**3720 F XXX 043 XX X X 0X**

F=Female  
 M=Male  
 No. of pins 20~100P  
 Plastic Height 043=4.3mm  
 Contact G0:Gold  
 G1:3μ Gold  
 G2:5μ Gold  
 G3:10μ Gold  
 G4:15μ Gold  
 G5:30μ Gold  
 S0:Gold Flash/Tin  
 Plating Flash  
 Insulator Material  
 G0:Gold  
 G1:3μ Gold  
 G2:5μ Gold  
 G3:10μ Gold  
 G4:15μ Gold  
 G5:30μ Gold  
 S0:Gold Flash/Tin  
 Packing Code  
 T=Tube  
 R=Reel  
 code string 01~99

OPERATION		DRAW	Jelly Feng	22.07.02
X.X	±0.30			
X.XX	±0.20	CHECK		
X.XXX	±0.10			
Angle	±3°	APPROVE		
DIM	TOL			

SCALE	FIT
UNIT	mm
SIZE	A4
SHEET	1/1
PROJ.	

**JILN**® 深圳市锦凌电子有限公司  
 SHENZHEN JINLING ELECTRONICS CO.,LTD  
 Tel: 86-755-2997-5806/5802 Fax: 86-755-2997-5992

REV	DATE	MODIFICATION DESCRIPTION	CHANGE
A0	2022.07.02	NEW DRAWING	

PART NO.	TITLE:
3720FXXX043XXXX0X	0.5BTB NPin H4.3 Female