

# HSF RoHS

Note:

Current Rating: 1A max.

Voltage Rating: 100 VAC.

Insulation Resistance: >1000 MΩ at  
@500VDC

Withstand Voltage: 1500VAC for 1 minute

Contact Resistance: 10 mΩ MAX

Operation Temperature: -40° C to +125° C

applicable Cable:

AWG#26 to #22

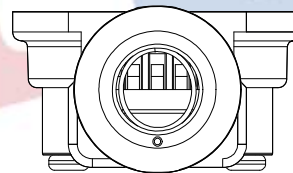
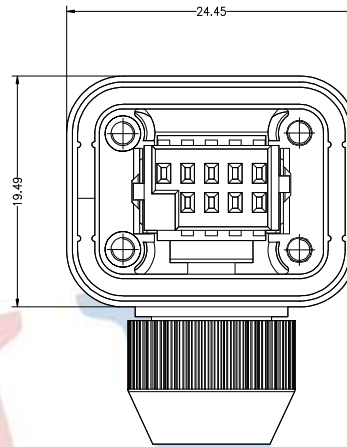
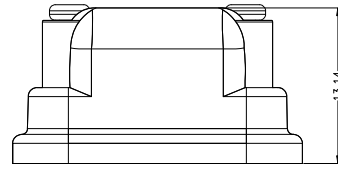
Coated outer dia: 1.1 to 1.4 dia

Cable outer dia: 5.0 to 5.8 dia

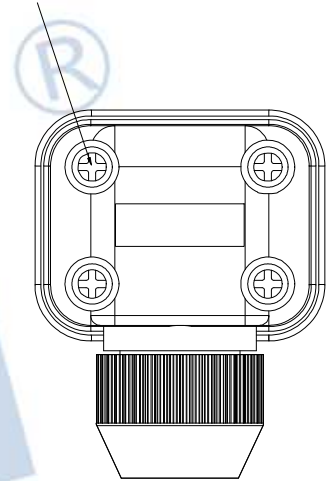
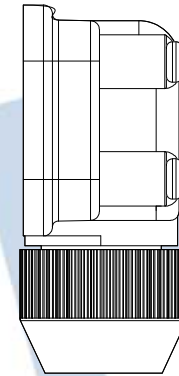
Contact Material: Copper Alloy

Contact Plating: Au or Sn Over Ni

Insulator Material: PBT (UL94V-0) Black



1. M2螺丝要求对应使用1#螺丝刀头。
2. 破坏扭力为0.3 N.m(Max), 建议使用扭力0.15 ±0.015N.m.



OPERATION		DRAW	Jelly Feng	22.11.15	SCALE	FIT
X.X	±0.30				UNIT	mm
X.XX	±0.20	CHECK			SIZE	A4
X.XXX	±0.10				SHEET	1/1
Angle	±3°	APPROVE			PROJ.	☐
DIM	TOL				TITLE:	

**JILN**® 深圳市锦凌电子有限公司  
**SHENZHEN JINLING ELECTRONICS CO.,LTD**  
 Tel: 86-755-2997-5806/5802 Fax: 86-755-2997-5992

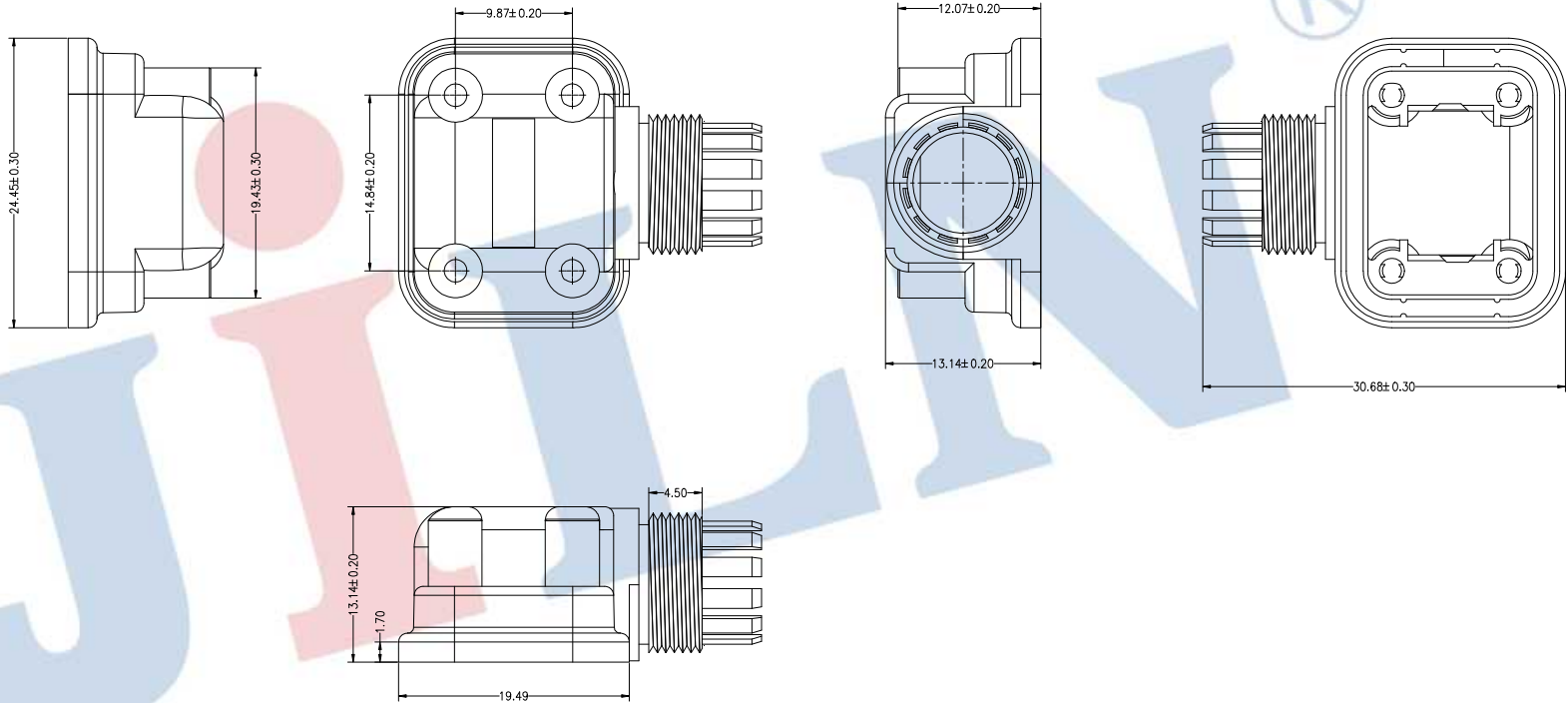
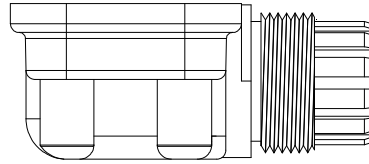
PART NO. 6312F-09SG2PA0X

TITLE: SM-9芯伺服防水插头

REV	DATE	MODIFICATION DESCRIPTION	CHANGE
A0	2022.11.15	NEW DRAWING	

**HSF** RoHS

NOTE:  
Material:PA66 (UL94V-2) Black



OPERATION

X.X  $\pm 0.30$

X.XX  $\pm 0.20$

X.XXX  $\pm 0.10$

Angle  $\pm 3^\circ$

DIM TOL

DRAW

CHECK

APPROVE

Jelly Feng

22.11.15

SCALE

UNIT

SIZE

SHEET

PROJ.

FIT

mm

A4

1/1

**JILN**® 深圳市锦凌电子有限公司  
SHENZHEN JINLING ELECTRONICS CO.,LTD

Tel: 86-755-2997-5806/5802 Fax: 86-755-2997-5992

PART NO.

201.6312009MB401

TITLE:

SM-9芯直头外壳

A

A0

2022.11.15

NEW DRAWING

REV

DATE

MODIFICATION DESCRIPTION

CHANGE

DIM TOL

APPROVE

PART NO.

201.6312009MB401

TITLE:

SM-9芯直头外壳

1

2

3

4

5

6

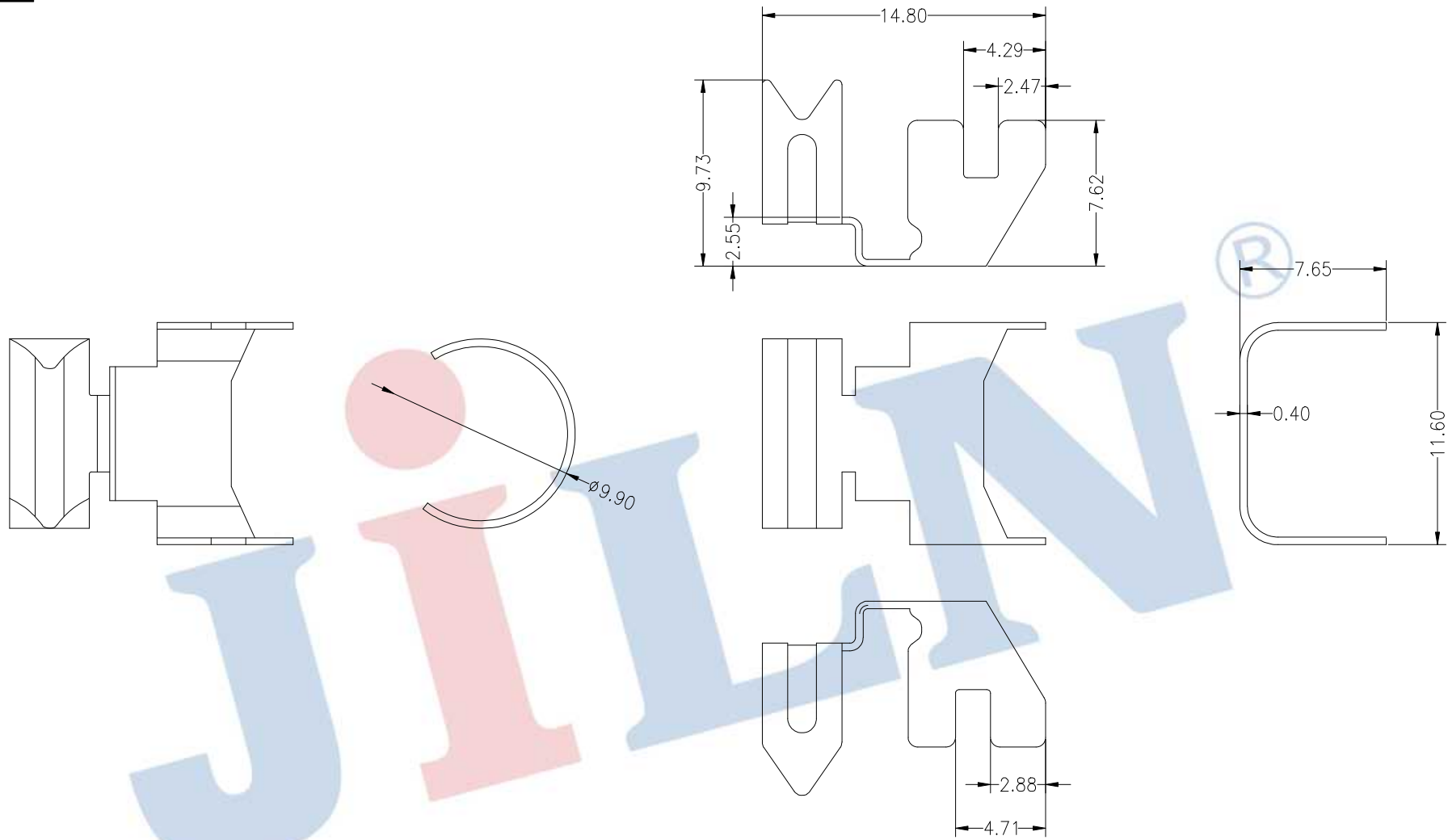
7

8

9

A

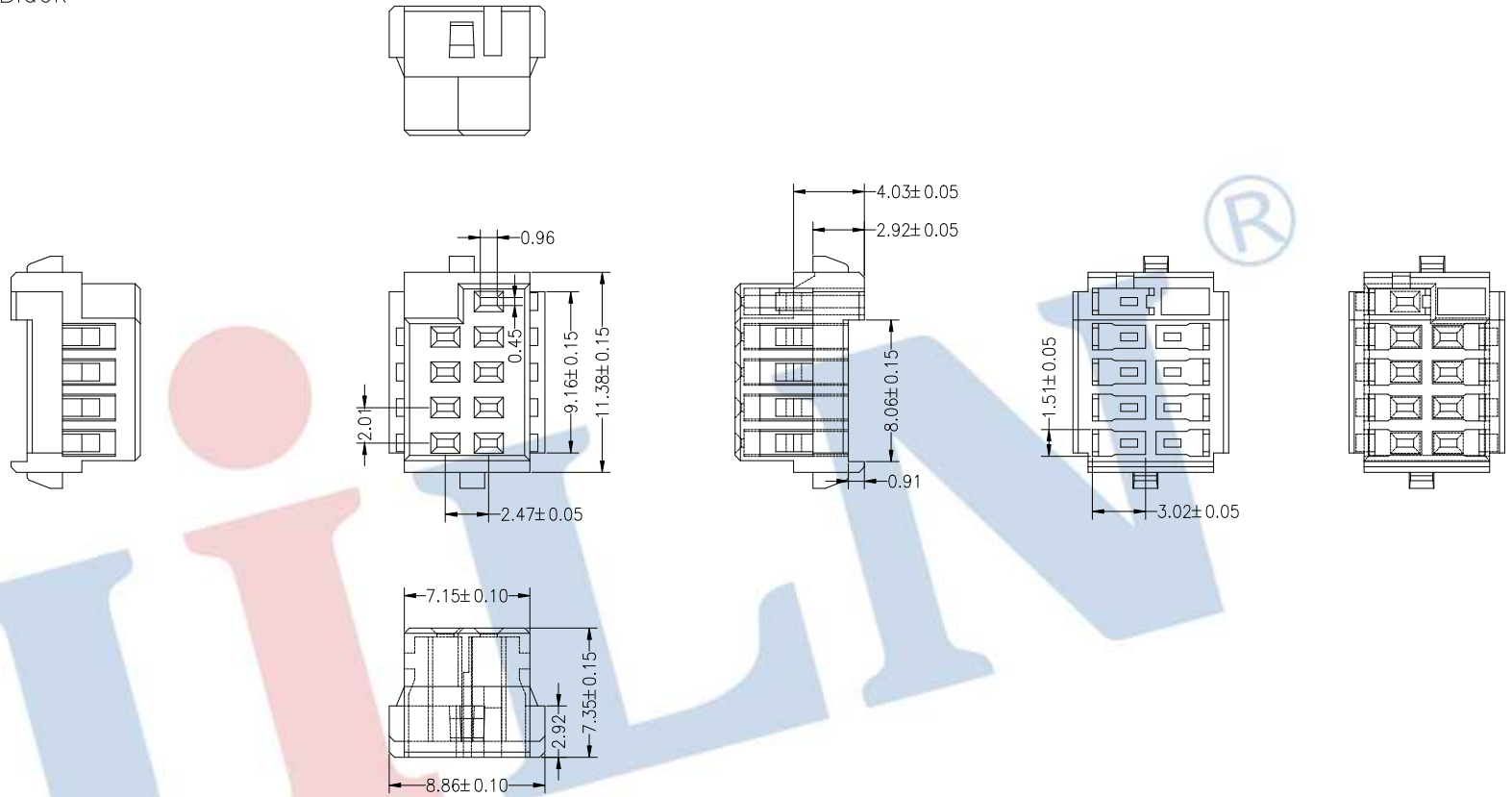
**HSF** RoHS



				OPERATION		DRAW	Jelly Feng	22.11.15	SCALE	FIT	<b>JILN</b> ® 深圳市锦凌电子有限公司 SHENZHEN JINLING ELECTRONICS CO.,LTD Tel: 86-755-2997-5806/5802 Fax: 86-755-2997-5992	
				X.X	±0.30				UNIT	mm		
				X.XX	±0.20	CHECK		SIZE	A4	PART NO. 202.6312F0240H01		
				X.XXX	±0.10		SHEET	1/1				
A	A0	2022.11.15	NEW DRAWING	Angle	±3°	APPROVE		PROJ.		TITLE: SM-9芯母头铁壳		
REV	DATE	MODIFICATION DESCRIPTION	CHANGE	DIM	TOL							
1	2	3	4	5	6	7	8	9				

**HSF** RoHS

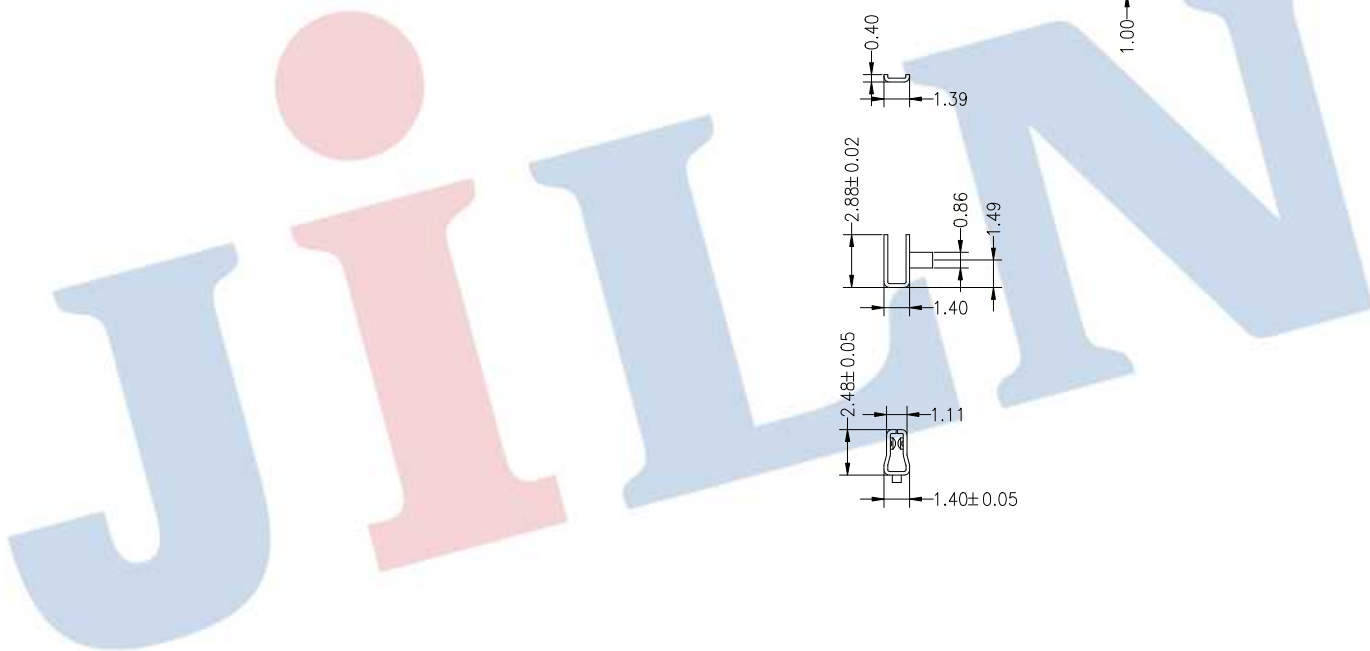
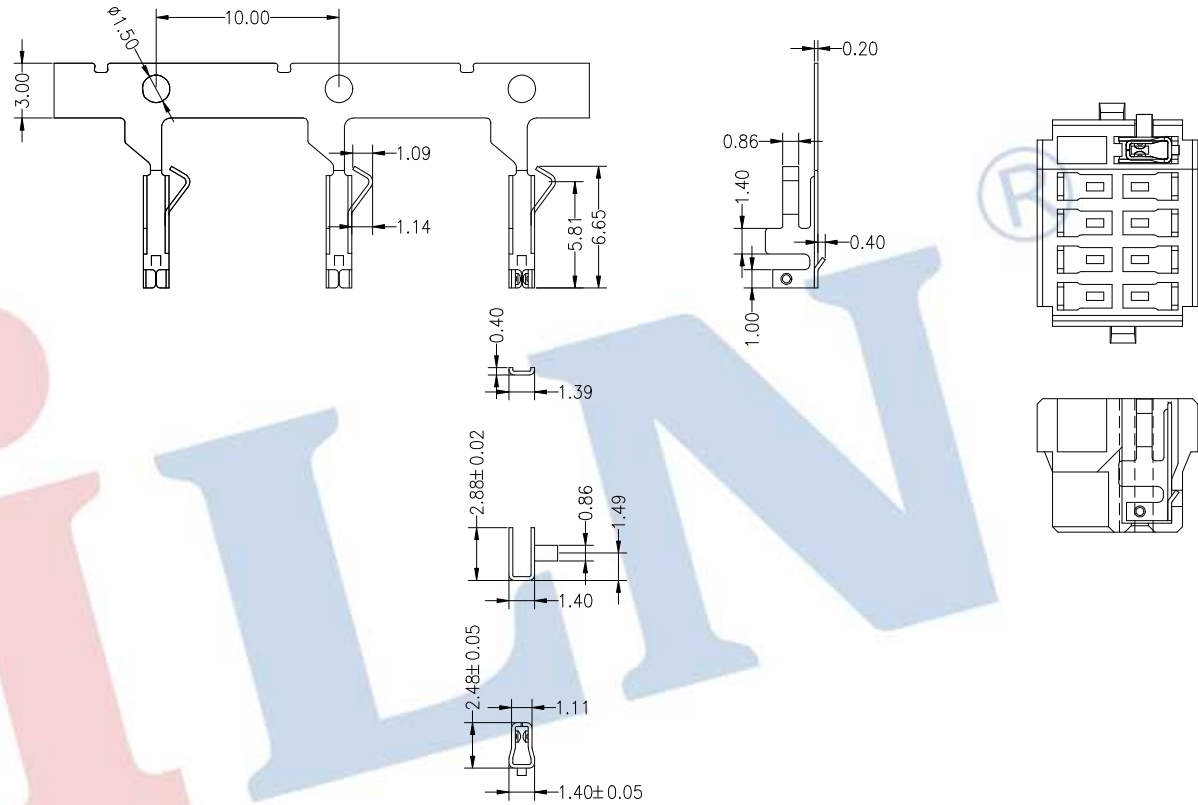
NOTE:  
Material:PBT (UL94V-0) Black



				OPERATION		DRAW	Jelly Feng	22.11.15	SCALE	FIT	<b>JILN</b> ® 深圳市锦凌电子有限公司 SHENZHEN JINLING ELECTRONICS CO.,LTD Tel: 86-755-2997-5806/5802 Fax: 86-755-2997-5992	
				X.X	±0.30				UNIT	mm		
				X.XX	±0.20	CHECK		SIZE	A4	PART NO.		201.6312009MA101
				X.XXX	±0.10		APPROVE		SHEET	1/1	TITLE:	
A	REV	DATE	MODIFICATION DESCRIPTION	CHANGE	DIM	TOL			PROJ.	◆		
	1		2	3	4	5	6	7	8	9		

**HSF** RoHS

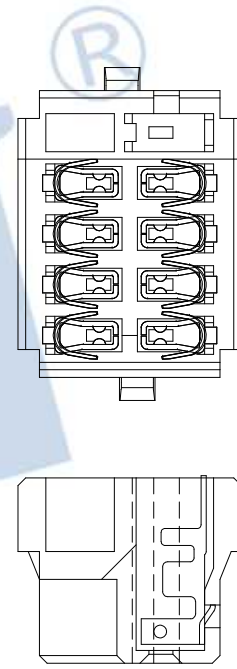
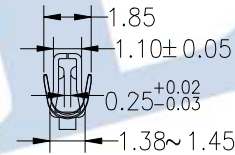
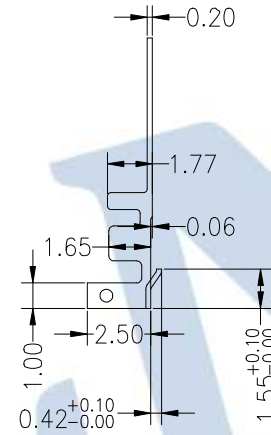
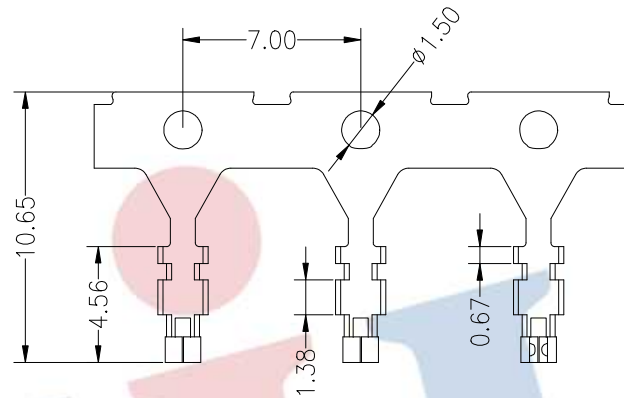
NOTE:  
Material: Phosphor Bronze



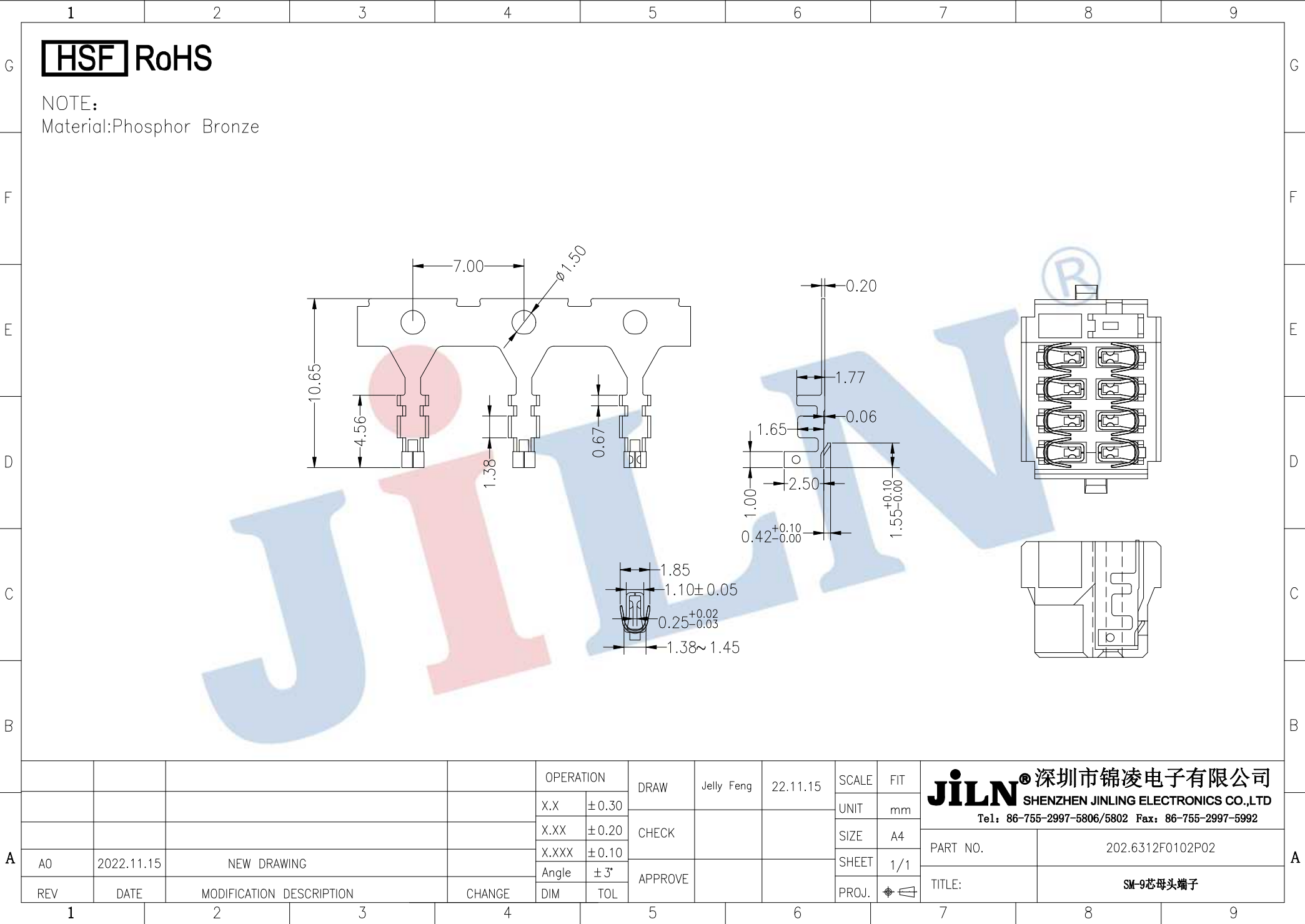
				OPERATION		DRAW	Jelly Feng	22.11.15	SCALE	FIT	<b>JILN</b> ® 深圳市锦凌电子有限公司 SHENZHEN JINLING ELECTRONICS CO.,LTD Tel: 86-755-2997-5806/5802 Fax: 86-755-2997-5992	
				X.X	± 0.30				UNIT	mm		
				X.XX	± 0.20	CHECK		SIZE	A4	PART NO. 202.6312F0102P03		
				X.XXX	± 0.10		SHEET	1/1				
A0	2022.11.15	NEW DRAWING		Angle	± 3°	APPROVE		PROJ.		TITLE: SM-9芯母头接地端子		
REV	DATE	MODIFICATION DESCRIPTION	CHANGE	DIM	TOL							
1	2	3	4	5	6	7	8	9				

**HSF** RoHS

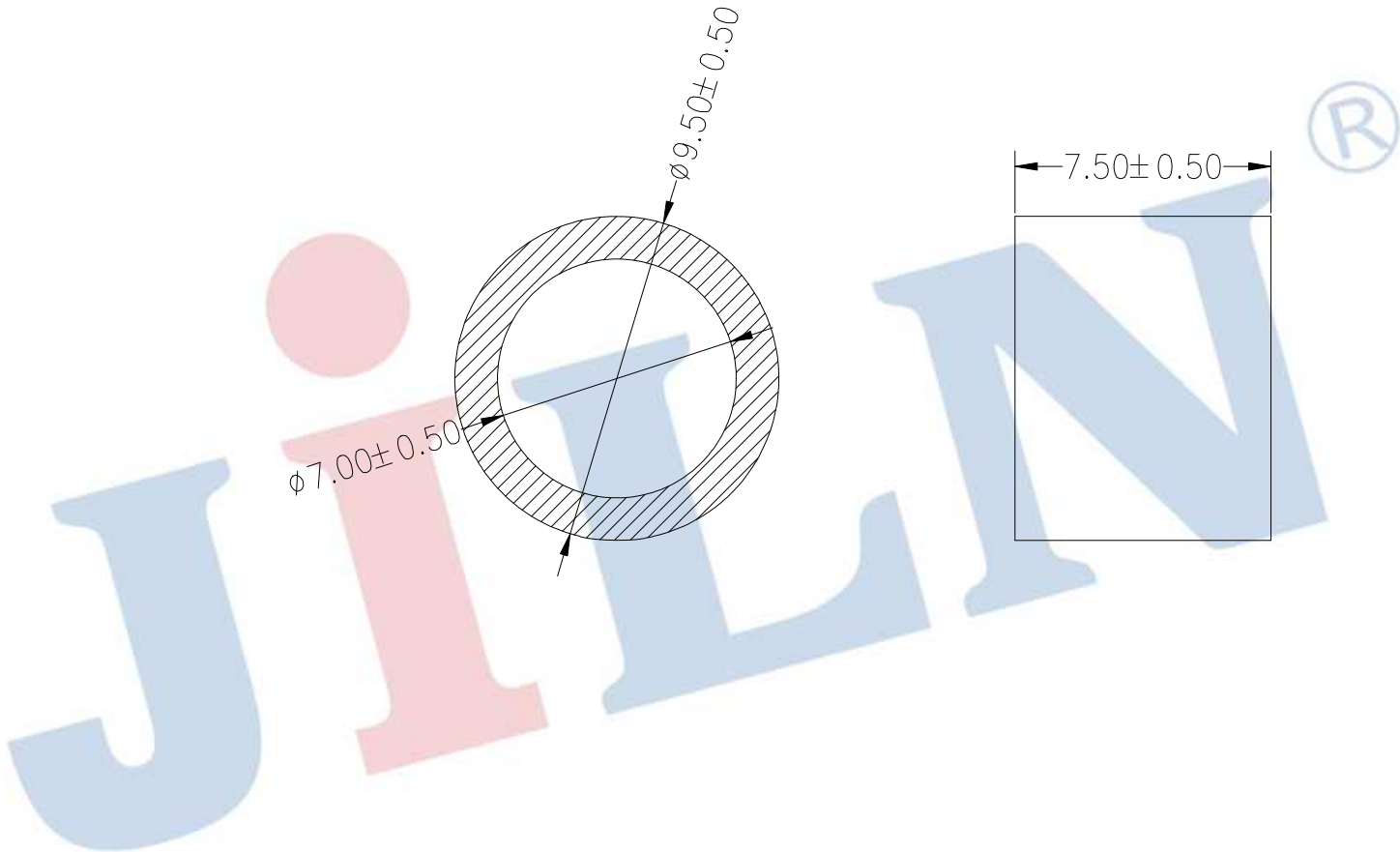
NOTE:  
Material: Phosphor Bronze



				OPERATION		DRAW	Jelly Feng	22.11.15	SCALE	FIT	<b>JILN</b> ® 深圳市锦凌电子有限公司 SHENZHEN JINLING ELECTRONICS CO.,LTD Tel: 86-755-2997-5806/5802 Fax: 86-755-2997-5992	
				X.X	$\pm 0.30$				UNIT	mm		
				X.XX	$\pm 0.20$	CHECK			SIZE	A4	PART NO. 202.6312F0102P02	
				X.XXX	$\pm 0.10$				SHEET	1/1	TITLE: SM-9芯母头端子	
A	REV	DATE	MODIFICATION DESCRIPTION	CHANGE	ANGLE	$\pm 3^\circ$	APPROVE		PROJ.			



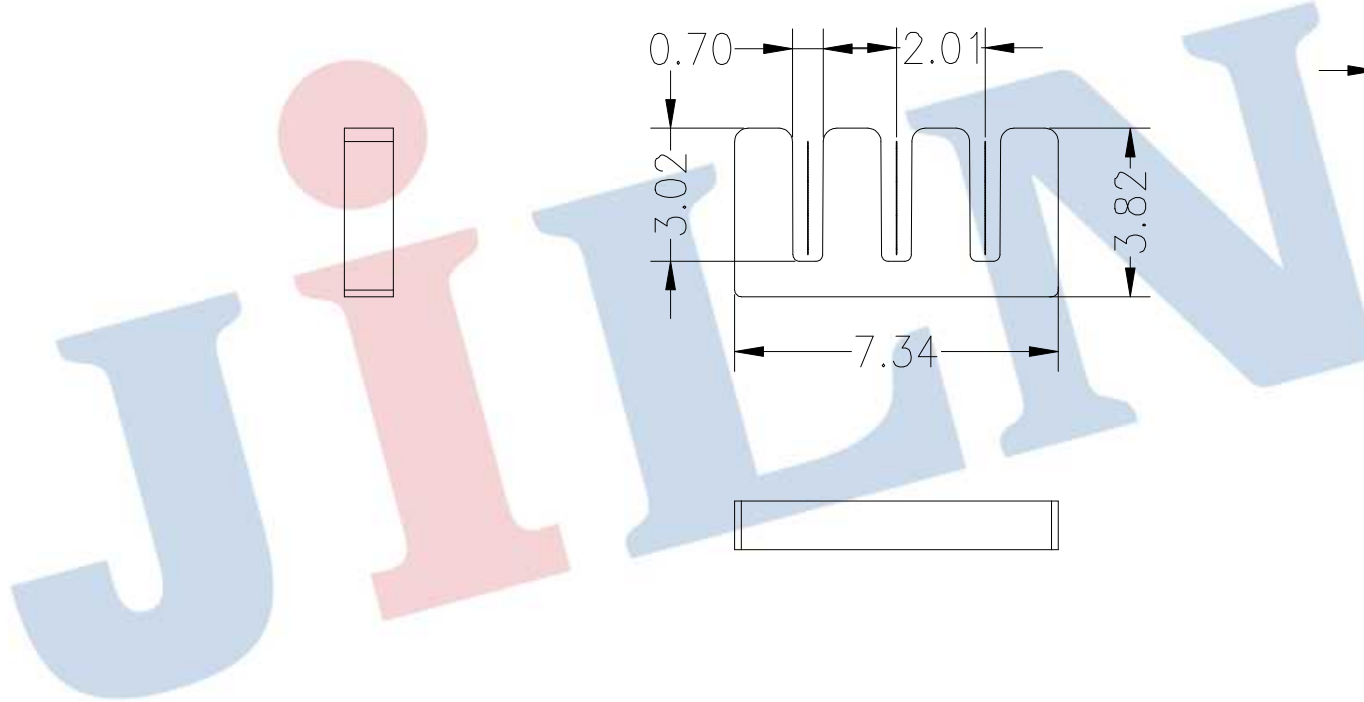
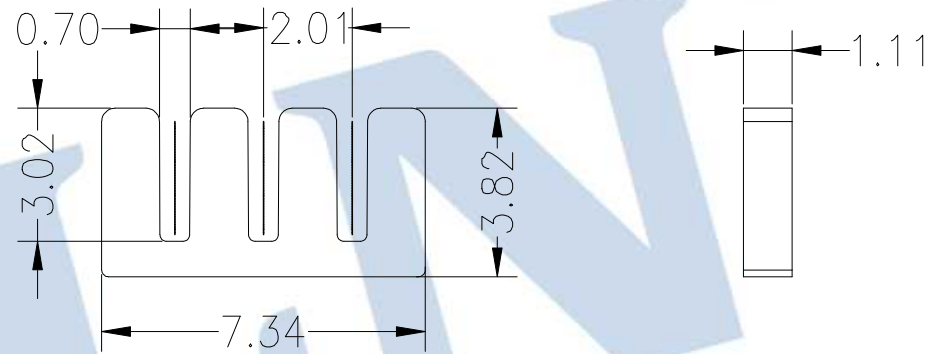
**HSF** RoHS



				OPERATION		DRAW	Jelly Feng	22.11.15	SCALE	FIT	<b>JILN</b> <sup>®</sup> 深圳市锦凌电子有限公司 SHENZHEN JINLING ELECTRONICS CO.,LTD Tel: 86-755-2997-5806/5802 Fax: 86-755-2997-5992	
				X.X	±0.30				UNIT	mm		
						CHECK			SIZE	A4	PART NO.	
				X.XX	±0.20		SHEET	1/1			TITLE:	
A0	2022.11.15	NEW DRAWING				APPROVE			PROJ.		防水圈	
REV	DATE	MODIFICATION DESCRIPTION		CHANGE								
1	2	3	4	5	6	7	8	9				

**HSF** RoHS

NOTE:  
Material:PBT (UL94V-0)



OPERATION		DRAW	Jelly Feng	22.11.15	SCALE	FIT
X.X	±0.30					
X.XX	±0.20	CHECK			UNIT	mm
X.XXX	±0.10				SIZE	A4
Angle	±3°	APPROVE			SHEET	1/1
DIM	TOL				PROJ.	

**JILN**® 深圳市锦凌电子有限公司  
SHENZHEN JINLING ELECTRONICS CO.,LTD  
Tel: 86-755-2997-5806/5802 Fax: 86-755-2997-5992

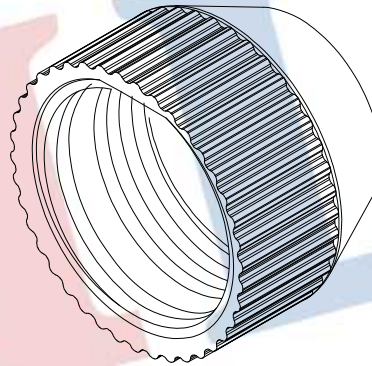
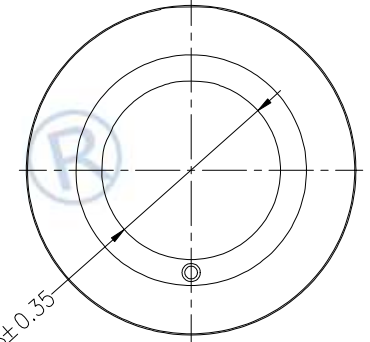
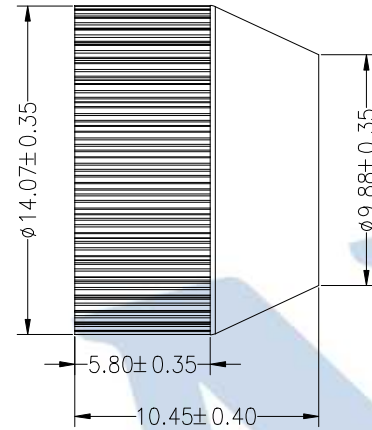
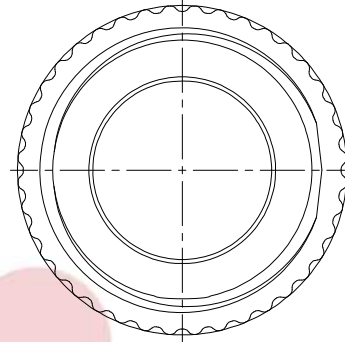
REV	DATE	MODIFICATION DESCRIPTION	CHANGE
A0	2022.11.15	NEW DRAWING	

PART NO. 201.6312009MA201  
TITLE: SM-9芯塞条



**HSF** RoHS

NOTE:  
Material:PBT (UL94V-0) Black



				OPERATION		DRAW	Jelly Feng	22.11.15	SCALE	FIT	<b>JILN</b> ® 深圳市锦凌电子有限公司 SHENZHEN JINLING ELECTRONICS CO.,LTD Tel: 86-755-2997-5806/5802 Fax: 86-755-2997-5992	
				X.X	±0.30				UNIT	mm		
				X.XX	±0.20	CHECK		SIZE	A4	PART NO. 201.6312000MA601		
				X.XXX	±0.10		SHEET	1/1				
A0	2022.11.15	NEW DRAWING		Angle	±3°	APPROVE		PROJ.	☐	TITLE:	SM 螺丝帽	
REV	DATE	MODIFICATION DESCRIPTION	CHANGE	DIM	TOL							

	1	2	3	4	5	6	7	8	9
G	<div data-bbox="138 116 421 178" data-label="Text"> <p><b>HSF</b> RoHS</p> </div> <div data-bbox="134 202 566 282" data-label="Text"> <p>NOTE: Material:PBT (UL94V-0) Black</p> </div> <div data-bbox="705 341 1048 684" data-label="Image"> </div> <div data-bbox="1220 341 1590 772" data-label="Image"> </div> <div data-bbox="1715 341 2083 684" data-label="Image"> </div> <div data-bbox="808 764 1178 1131" data-label="Image"> </div>								
F									
E									
D									
C									
B									
A									
	1	2	3	4	5	6	7	8	9