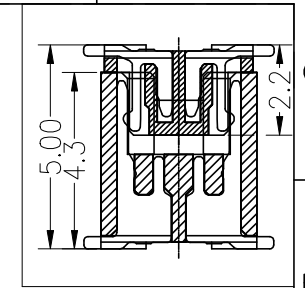
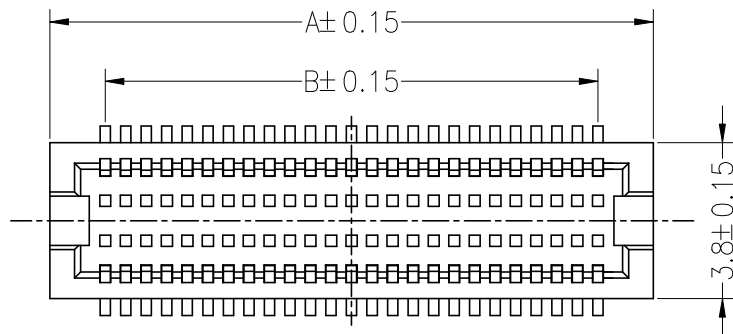


HSF RoHS

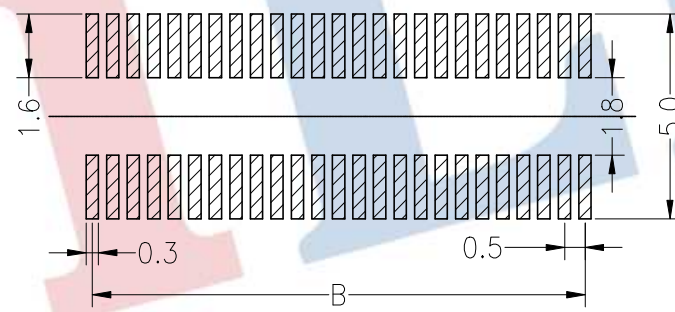
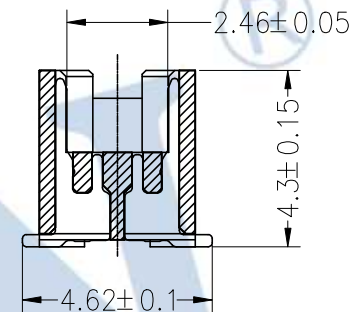
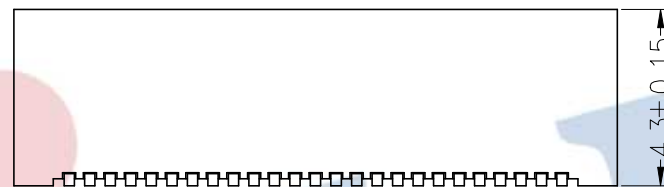
SPECIFICATIONS

PERFORMANCE

Current rating: 0.5A
 Voltage rating: 50V DC/AC RMS
 Insulation Resistance: 500MΩ Min
 Withstanding voltage: 200V AC/1 minute
 Contact Resistance: 30mΩ Max
 Operating Temperature: -40°C to +105°C
 Contact Material: Phosphor Bronze
 Contact Plating: Au or Sn over Ni
 Insulation Material: PA46, UL94V-0
 Soldering temperature: 260°C±5° 5S



ASSEMBLY



Recommended P.C.B Layout(Top Side)
 (PCB BOARD TOLERANCE±0.05)

Ordering Information

3720 F XXX 043 XX X X 0X
 F=Female M=Male No. of pins 20~100P Plastic Height 043=4.3mm Contact Plating G0:Gold Flash G1:3U" Gold G2:5U" Gold G3:10U" Gold G4:15U" Gold G5:30U" Gold S0:Gold Flash/Tin Insulator Material Option D=BK-PA46 F=BK-LCP Packing T=Tube R=Reel code string 01~99

Dimension Table		
No Of Pins	Dim A	Dim B
20	7.20	4.50
30	9.70	7.00
32	10.20	7.50
36	11.20	8.50
40	12.20	9.50
50	14.70	12.00
60	17.20	14.50
80	22.20	19.50
100	27.20	24.50

				OPERATION		DRAW	Jelly Feng	22.07.02	SCALE	FIT	JILN ® 深圳市锦凌电子有限公司 SHENZHEN JINLING ELECTRONICS CO.,LTD Tel: 86-755-27483253 Fax: 86-755-2997-5588	
				X.X	±0.30				UNIT	mm		
						CHECK			SIZE	A4	PART NO. 3720FXX043XXXX0X	
				X.XX	±0.20				SHEET	1/1		
						APPROVE			PROJ.	TITLE:	0.5BTB NPin H4.3母座无柱无定位片	
				Angle	±3°							
				DIM	TOL							
A0	2022.07.02	NEW DRAWING										
REV	DATE	MODIFICATION DESCRIPTION		CHANGE								