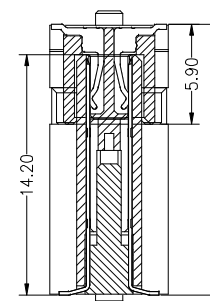
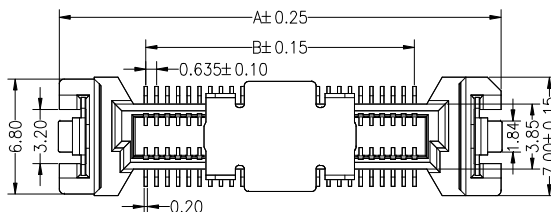


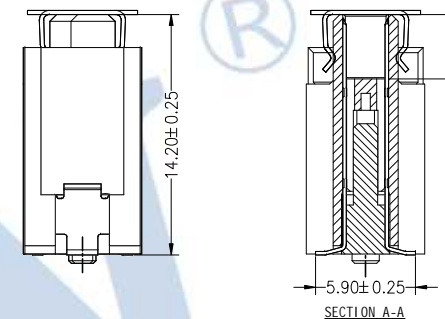
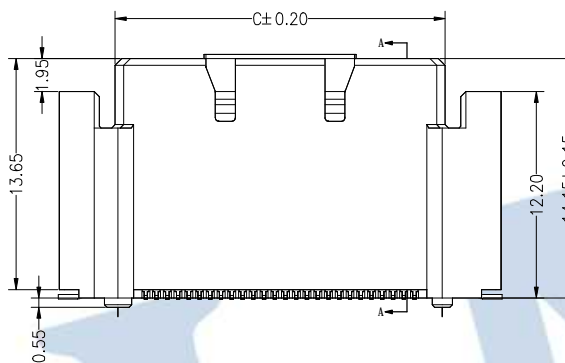
**HSF** RoHS

SPECIFICATIONS  
PERFORMANCE

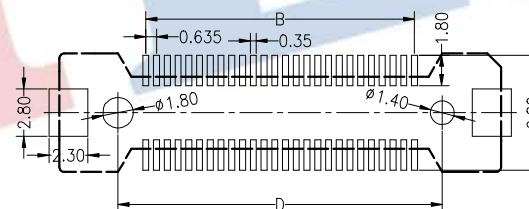
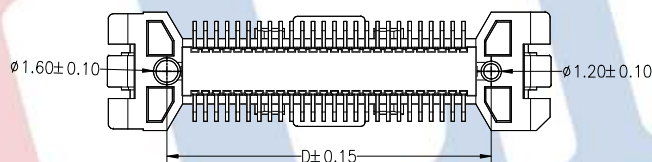
Electical Rating: AC/DC 50V 0.5A  
 Insulation Resistance: 500MΩ  
 Withstang Volt: 200V AC/minute  
 Opratng Temperature: -40°C to +105°C  
 Material  
 Contact: Phosphor Bronze  
 Plating: Au or Sn Over Ni  
 Housing: LCP  
 Max.Processing Temp: 260°C±5° 5S



MATING DRAWING (REF)



SECTION A-A



P.C.B Layout

**Ordering Information**

3722 F XXX 142 XX X X 0X

F=Female  
M=Male  
No.of pins  
30,40,  
50,52P  
Plastic Hight  
142=14.2mm  
Contact Plating  
G0:Gold Flash  
G1:3U" Gold  
G2:5U" Gold  
G3:10U" Gold  
G4:15U" Gold  
S0:1.5U" Gold/Tin  
S1:3U" Gold/Tin  
Insulator  
Material  
Option  
D=BK-PA46  
E=BK-PA9T  
F=BK-LCP  
Packing  
T:Tube  
R:Reel

No Of Pins	Dimensions (mm)			
	A	B	C	D
30	19.12	8.89	12.52	12.18
40	22.29	12.07	15.69	15.35
50	25.47	15.24	18.87	18.53
52	26.10	15.88	19.50	19.16

OPERATION		DRAW	Jelly Feng	2022.12.17	SCALE	FIT
X.X	±0.30					
X.XX	±0.20	CHECK			UNIT	mm
X.XXX	±0.10				SIZE	A4
Angle	±3°	APPROVE			SHEET	1/1
DIM	TOL				PROJ.	☞

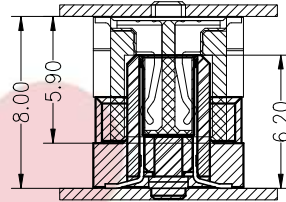
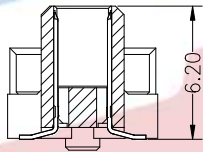
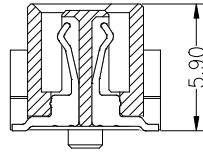
**JILN** 深圳市锦凌电子有限公司  
 SHENZHEN JINLING ELECTRONICS CO.,LTD  
 Tel: 86-755-27483253 Fax: 86-755-2997-5588

A0	2022.12.17	NEW DRAWING	
REV	DATE	MODIFICATION DESCRIPTION	CHANGE
1	2	3	4

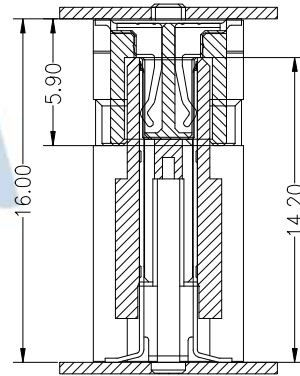
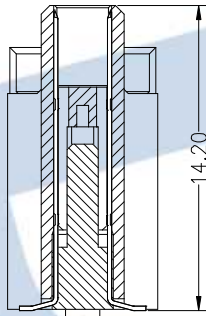
PART NO.		3722FXXX142XXXX0X	
TITLE:		0.635mm BTB NPin H14.2 Female (PLC专用)	
7	8	9	

公座 (Male)

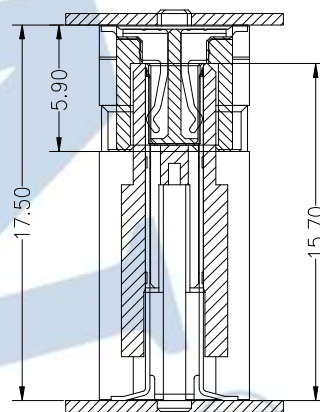
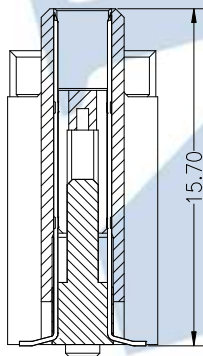
母座 (Female)



MATING DRAW REF



MATING DRAW REF



MATING DRAW REF

DRAW Jelly Feng 22.12.17

SCALE FIL

**JILN** 深圳市锦凌电子有限公司  
SHENZHEN JINLING ELECTRONICS CO.,LTD  
Tel: 86-755-27483253 Fax: 86-755-2997-5588

CHECK

UNIT mm

PART NO 3722XXXXXXXXXXXX

A 22.12.17 NEW DRAWING

SIZE A4

REV DATE MODIFICATION DESCRIPTION CHANGE APPROVE

SHEET 1/1

TITLE 0.635mm BTB Mating Drawing (PLC专用)

PROJ