

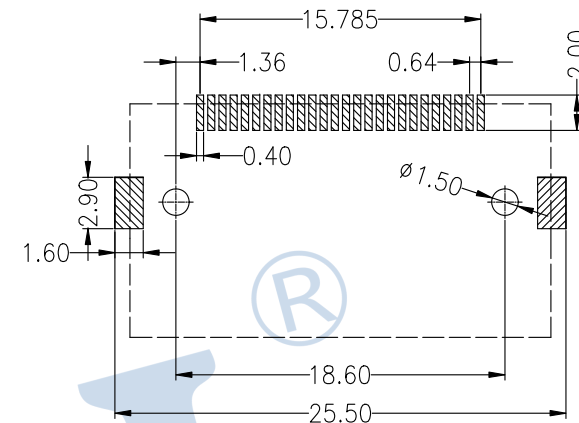
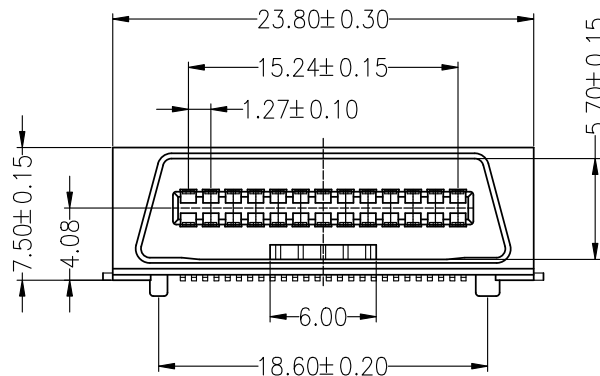
HSF RoHS

SPECIFICATIONS

Rated Current:1.0AMP
 Contact Resistance:30mΩ Max
 Withstand Voltage:500V AC/DC
 Insulation Resistance:1000MΩ Min
 Operation Temperature:-40°C to +105°C

Contact Material:Phosphor Bronze
 Locating plate Material:Brass
 Contact Area Plated:Au or Sn Over Ni
 Resistance To Soldering Heat:
 260° C±5° C, 10s(LCP insulator)

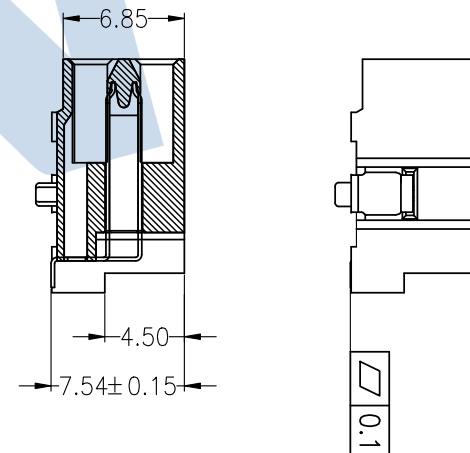
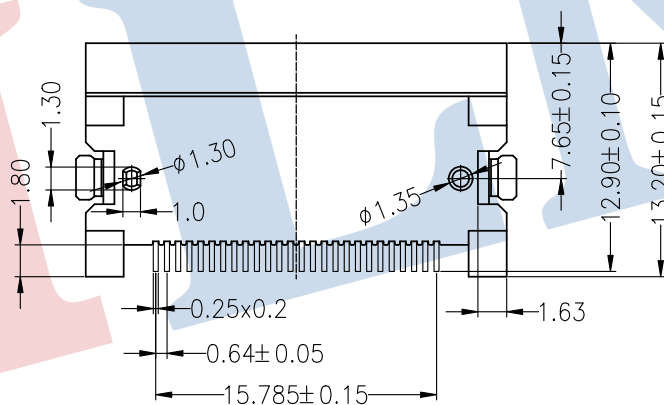
Recommended P.C.B Layout(Top Side)
 (PCB BOARD TOLERANCE±0.05)



Ordering Information

6411 - M 026 Z D XX PN R X

No.of Pins: 26P
 Connector Type: Z=90° SMT
 Contact Plating: S1:3U* Gold /Tin
 Packing R:Reel
 code stream: 01~99



				OPERATION		DRAW	YiYuSheng	17.06.29	SCALE	FIT	JILN ® 深圳市锦凌电子有限公司 SHENZHEN JINLING ELECTRONICS CO.,LTD Tel: 86-755-27483253 Fax: 86-755-2997-5588		
				X.X	±0.30				UNIT	mm			
				X.XX	±0.20	CHECK	SIZE	A4	PART NO.	6411-M026ZDS1PNRX			
				X.XXX	±0.10	APPROVE	SHEET	1/1	TITLE:	D型SCSI 26P全塑公头 贴片型			
REV	DATE	MODIFICATION DESCRIPTION	CHANGE	DIM	TOL			PROJ.					
1	2	3	4	5	6	7	8	9					