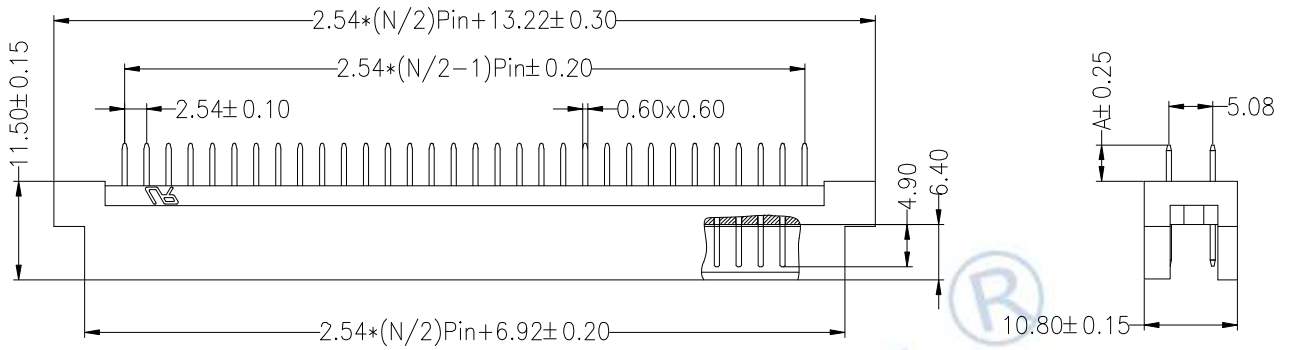




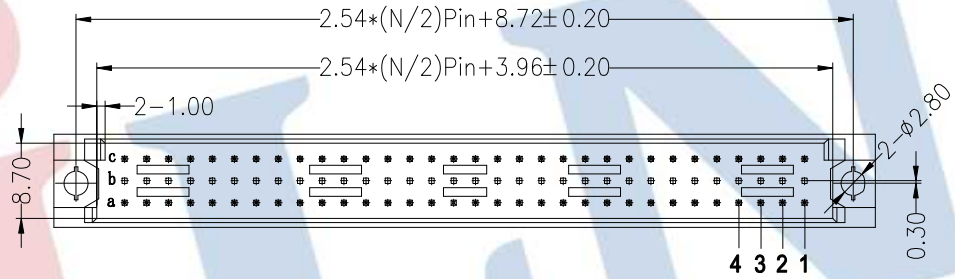
SPECIFICATIONS

Rated Current:3.0AMP
 Contact Resistance:30mΩ Max
 Withstand Voltage:1000V AC/DC
 Insulation Resistance:1000MΩ Min
 Operation Temperature:-40°c to +105°c

Contact Material:Copper Alloy
 Contact Plating:Au or Sn Over Ni
 Insulator Material:Polyester(UL94V-0)
 Resistance To Soldering Heat:
 245℃±5℃ For 5 Second(PBT insulator)



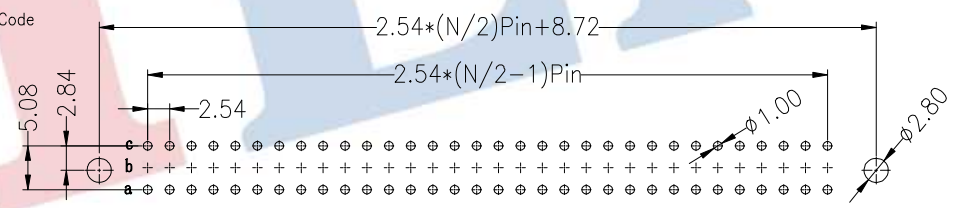
注: b排全缺



Ordering Information

35113 XX C M S XX B N A X

- No.of Pins
NPin
N=20、32、64
- Contact Type
M=Male
- Contact Plating
G0:Gold Flash
S0:Gold Flash/Tin
S1:3U" Gold/Tin
S2:5U" Gold/Tin
S3:10U" Gold/Tin
S4:15U" Gold/Tin
S5:30U" Gold/Tin
- Contact Material
B=Brass
- Stream Code



Recommended P.C.B Layout(Top Side)
(PCB BOARD TOLERANCE±0.05)

Dimension antitheses list	
ITEM	A
Standard	4.00

A	AO	2023.03.29	NEW DRAWING	CHANGE	OPERATION	DRAW	Jelly Feng	2023.03.29	SCALE	FIT	JILN ® 深圳市锦凌电子有限公司 SHENZHEN JINLING ELECTRONICS CO.,LTD Tel: 86-755-27483253 Fax: 86-755-2997-5588	PART NO.	35113XXCMSXXBNAX	
	REV	DATE	MODIFICATION DESCRIPTION	CHANGE	X.X ±0.30	CHECK			UNIT	mm			TITLE:	欧式插座 公座 180度 3xNPin 缺b排 成品系列图
					X.XX ±0.20	APPROVE			SIZE	A4				
					X.XXX ±0.10				SHEET	1/1				
					Angle ±3°				PROJ.	☉				
					DIM TOL									