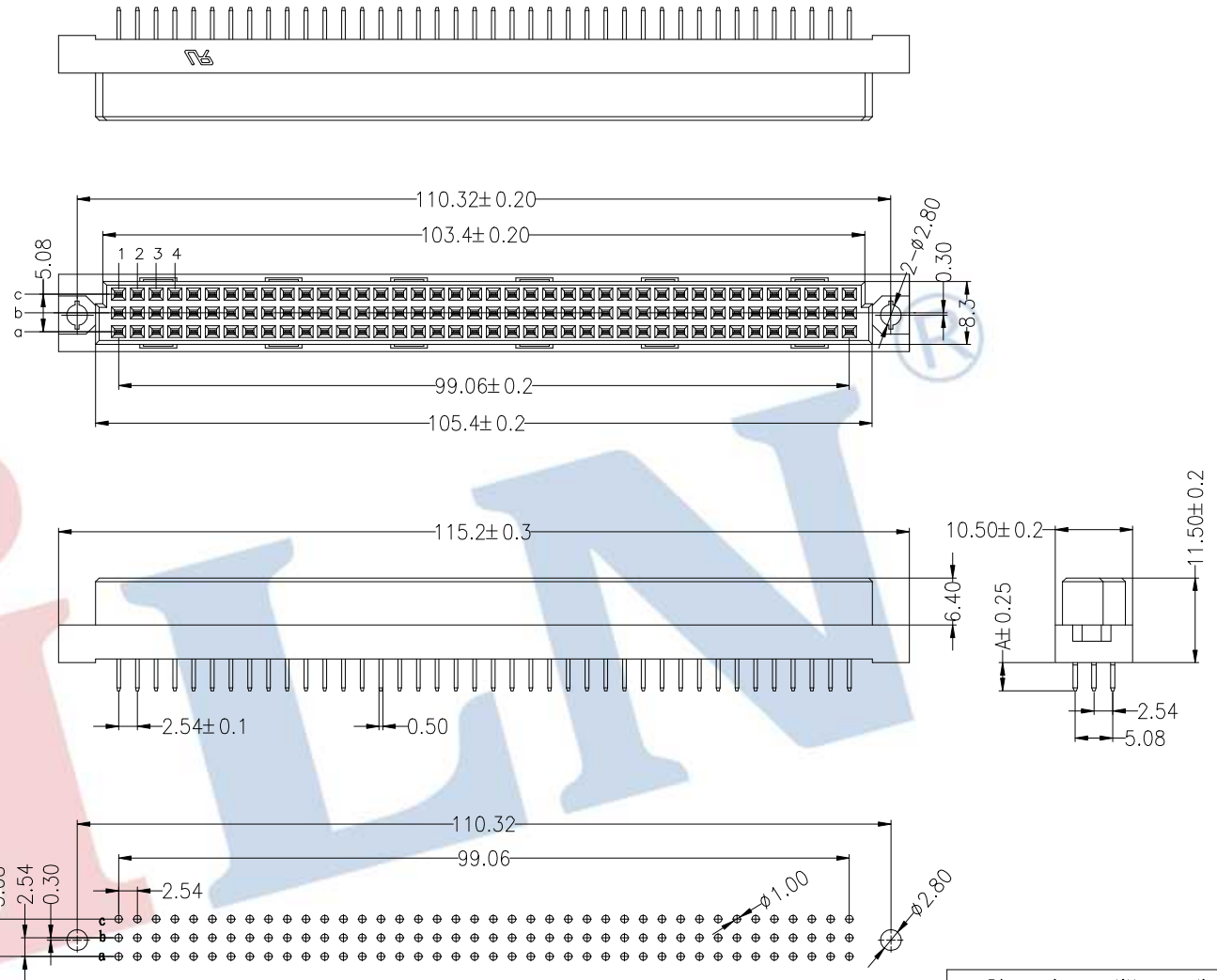




SPECIFICATIONS

Rated Current:3.0AMP
 Contact Resistance:30mΩ Max
 Withstand Voltage:1000V AC/DC
 Insulation Resistance:1000MΩ Min
 Operation Temperature:-40°C to +105°C

Contact Material:Copper Alloy
 Contact Plating:Au or Sn Over Ni
 Insulator Material:Polyester(UL94V-0)
 Resistance To Soldering Heat:
 245°C±5°C For 5~10 Second(PBT insulator)



Ordering Information

3511 3 120 A F S XX X N A X

No. of Pins NPin N=120	Contact Type F=Female	Contact Plating G0:Gold Flash S0:Gold Flash/Tin S1:30U" Gold/Tin S2:5U" Gold/Tin S3:10U" Gold/Tin S4:15U" Gold/Tin S5:30U" Gold/Tin	Contact Material B=Brass P=Phosphor Bronze	Stream Code
------------------------------	--------------------------	--	--	-------------

Recommended P.C.B Layout(Top Side)
 (PCB BOARD TOLERANCE±0.05)

Dimension antitheses list	
ITEM	A
Standard	4.00

A	AO	2023.03.29	NEW DRAWING	CHANGE	OPERATION	DRAW	Jelly Feng	2023.03.29	SCALE	FIT	JILN ® 深圳市锦凌电子有限公司 SHENZHEN JINLING ELECTRONICS CO.,LTD Tel: 86-755-27483253 Fax: 86-755-2997-5588	PART NO.	35113120AFSXXXNAX	
	REV	DATE	MODIFICATION DESCRIPTION	CHANGE	X.X ±0.30	CHECK			UNIT	mm			TITLE:	欧式插座 母座 180度 带鱼叉 成品系列图
					X.XX ±0.20				SIZE	A4				
					X.XXX ±0.10	APPROVE			SHEET	1/1				
				Angle ±3°				PROJ.	⊕					
				DIM TOL										