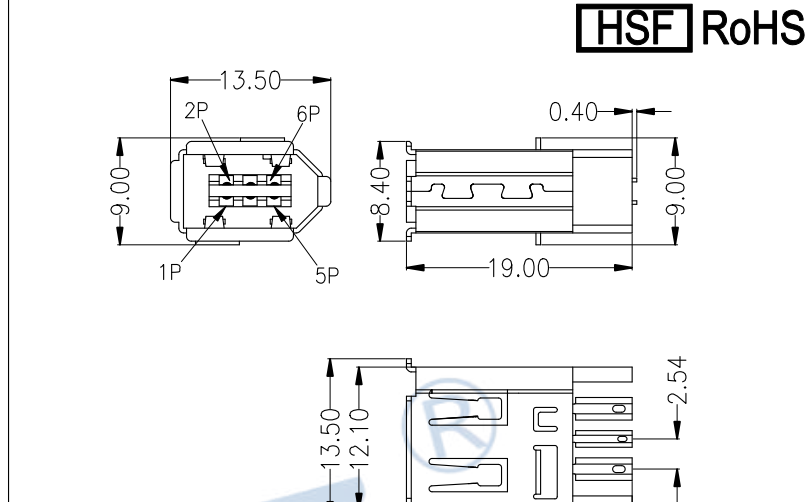
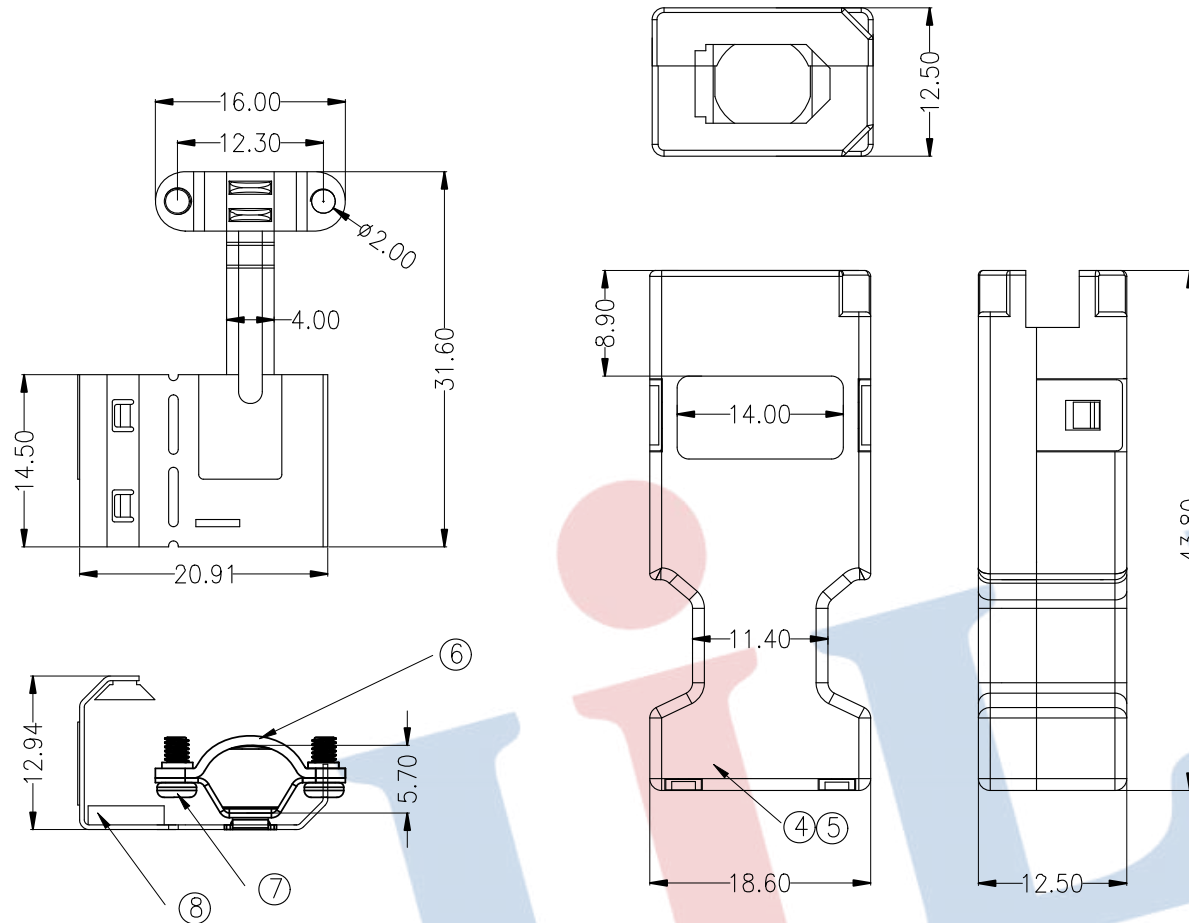


配件图:



HSF RoHS

SPECIFICATIONS
 Rated Current:1.0AMP
 Contact Resistance:20mΩ Max
 Voltage Rating: POWER CONTACT 200 VAC.
 Withstand Voltage:500VAC for 1 minute
 Insulation Resistance:1000MΩ Min
 Operation Temperature:-40°c to +105°c
 Contact Material:Phosphor Bronze
 Contact Plating:Au Over Ni
 Insulator Material:Polyester(UL94V-0)
 Resistance To Soldering Heat:
 245° C±5° C, 10s(PBT insulator)

Ordering Information
6312M - 06 S XX P A 0 X

No.of Pins
6P

Contact Plating
 G0:Gold Flash
 G4:3U" Gold
 S2:3U" Gold /Tin

Pin No.	Specification	Material	Q'TY	UNIT
①	塑胶主本 (plastic body)	PBT	PCS	1
②	端子 (terminal)	C5191-EH	PCS	6
③	铁壳 (iron shell)	C2680-H	PCS	1
④	上外壳 (up outside shell)	ABS+PC	PCS	1
⑤	下外壳 (bottom outside shell)	ABS+PC	PCS	1
⑥	线夹 (Lock)	S301	PCS	2
⑦	螺丝 (screw)	STEEL	PCS	2
⑧	铁壳 (iron shell)	SPCC	PCS	1

				OPERATION		DRAW	YiYuSheng	15.10.05	SCALE	FIT	JILN ® 深圳市锦凌电子有限公司 SHENZHEN JINLING ELECTRONICS CO.,LTD Tel: 86-755-27483253 Fax: 86-755-2997-5588	
				X.X	±0.30							
				X.XX	±0.20	CHECK			SIZE	A4	PART NO.	6312M-06DSOMA0X
A0	2015.10.05	NEW DRAWING		X.XXX	±0.10	APPROVE			SHEET	1/1	TITLE:	1394 SM Male 6P solderingassemble(plastic shell)
REV	DATE	MODIFICATION DESCRIPTION	CHANGE	DIM	TOL			PROJ.				
1	2	3	4	5	6	7	8	9				