

HSF RoHS

SPECIFICATIONS

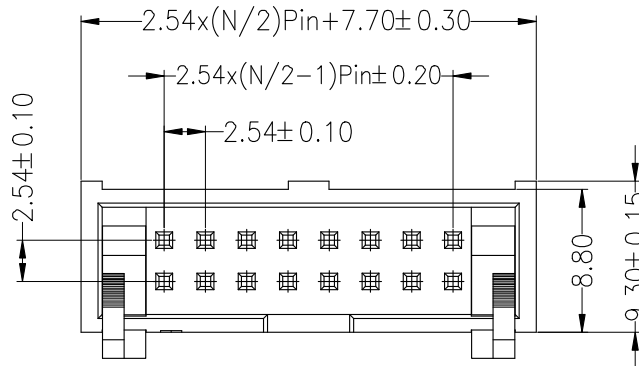
Rated Current:3.0AMP
 Contact Resistance:20mΩ Max
 Withstand Voltage:1000V AC/DC
 Insulation Resistance:1000MΩ Min
 Operation Temperature:-40°C to +105°C

Contact Material:Brass
 Contact Plating:Au or Sn Over Ni
 Insulator Material:Polyester(UL94V-0)
 Resistance To Soldering Heat:
 245°C±5°C, 10s(PBT insulator)
 260°C±5°C, 10s(PA6T&PA9T&LCP insulator)

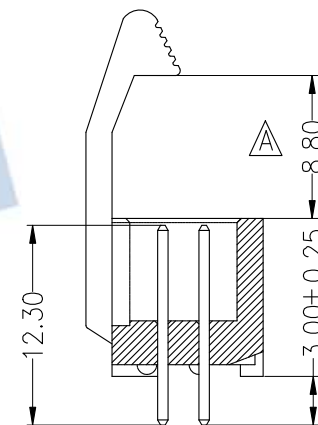
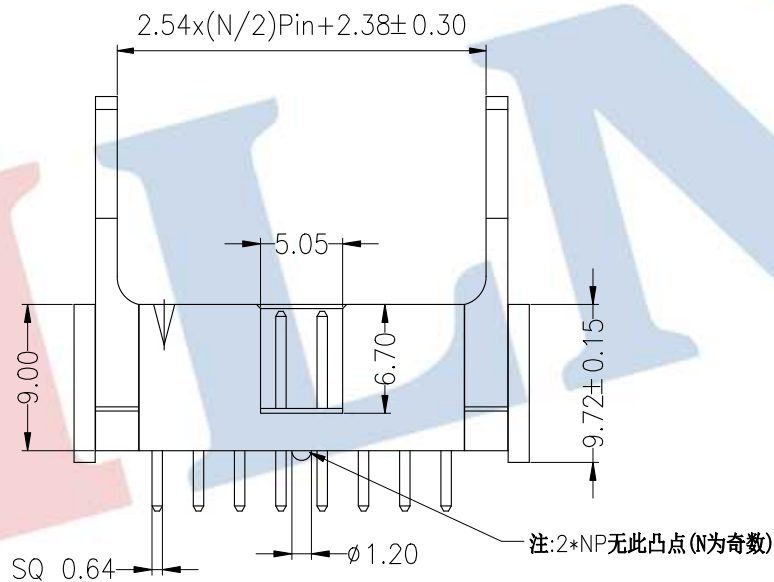
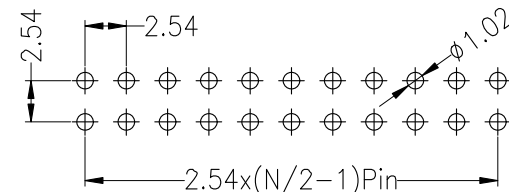
Ordering Information

3214 XX S XX X B K00 X 0X

- No.of Pins
6--64P
- Contact Plating
G0:Gold Flash
G1:1u" Gold
G2:1.5u" Gold
G3:2u" Gold
G4:3u" Gold
G5:5u" Gold
G6:10u" Gold
G7:15u" Gold
G8:30u" Gold
S0:Gold Flash/Tin
SN:Tin
- Insulator Material
Option
A=BK-PBT
C=BK-PA6T
E=BK-PA9T
F=BK-LCP
- Packing
O=PE Bag
A=Tray
T=Tube
P=Tube+Cap



Recommended P.C.B Layout(Top Side)
 (PCB BOARD TOLERANCE±0.05)



				OPERATION		DRAW	YiYuSheng	18.10.12	SCALE	FIT	JILN ® 深圳市锦凌电子有限公司 SHENZHEN JINLING ELECTRONICS CO.,LTD Tel: 86-755-27483253 Fax: 86-755-2997-5588	
				X.X	±0.30				UNIT	mm		
				X.XX	±0.20	CHECK	SIZE	A4				
				X.XXX	±0.10	APPROVE	SHEET	1/1				
				Angle	±3°		PROJ.	☉				
A0	2014.05.26	NEW DRAWING							PART NO.	3214XXSXXBK00X0X		
REV	DATE	MODIFICATION DESCRIPTION		CHANGE	DIM	TOL			TITLE:	2.54mm 带金属钩筒牛 180°		