

NOTE:

Physical

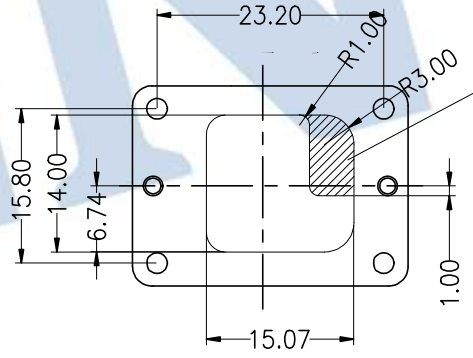
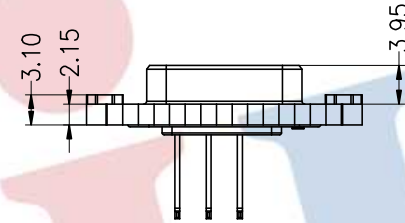
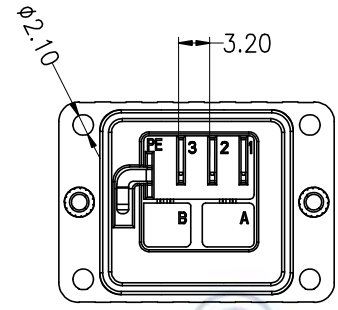
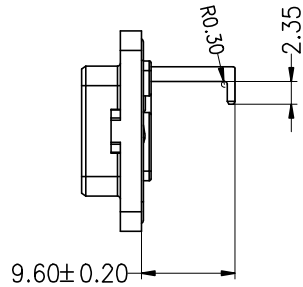
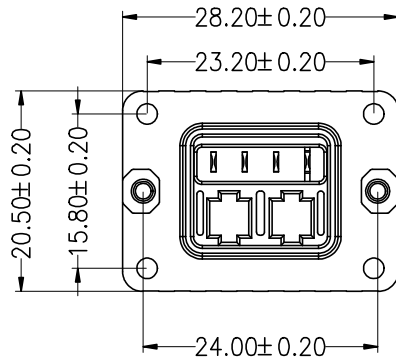
1. Insulation Material: Synthetic Resin UL94V-0  
Color: Black
2. Contact Material: Copper Alloy  
Plating: Nickel For all  
Contact Area: Gold  
Termination Area: Glod flash

Electrical

1. Current Rating: Power contact 7A max.  
Brake contact 1A max.
2. Voltage Rating: Power contact 200 VAC.  
Brake contact 100 VAC.
3. Insulation Resistance: >1000 MΩ at @500VDC
4. Withstanding Voltage: 1500VAC for 1 minute
5. Contact Resistance: 10 mΩ MAX

Environmental

1. Operating Temperature: -40°C to +105°C
2. Solder Temperature: 255~265°C for 5~10 sec.
3. Brake contact: AWG#26 to AWG#22  
Coated outer dia: 1.1 to 1.4 dia



接地位置说明:  
此区域去除表面,  
深度0.1±0.05。

mounting dimensions

MATERIAL:

NO	NAME	Q'TY	MATERIAL	DESCRIPTION
1	SEALING	1	SYNTHETIC RUBBER	GREEN
2	HOUSING	1	SYNTHETIC RESIN	BLACK
3	GROUND CONTACT	1	COPPER ALLOY	PLATING GOLD
4	SEALING	1	SYNTHETIC RUBBER	GREEN
5	POWER CONTACT	3	COPPER ALLOY	PLATING GOLD

OPERATION

X.X	±0.30
X.XX	±0.20
X.XXX	±0.10
Angle	±3°
DIM	TOL

DRAW	Tim Chu	2022.06.20
CHECK	Ou Yang	2022.06.20
APPROVE	Wang Wei	2022.06.20

SCALE	FIT
UNIT	mm
SIZE	A4
SHEET	1/2
PROJ.	☉

**JILN**® 深圳市锦凌电子有限公司  
SHENZHEN JINLING ELECTRONICS CO.,LTD  
Tel: 86-755-27483253 Fax: 86-755-2997-5588

PART NO.	6353C-04B-AE-N00
TITLE:	JM20伺服电机动力勾板型底座4P/小型直口

REV	DATE	MODIFICATION DESCRIPTION	CHANGE
A0	2022.06.20	NEW DRAWING	