

HSF RoHS

Note:

Physical

1. Insulation Material:

Synthetic Resin UL94V-0

Color: BLack

2. Contact Material: Copper Alloy

Plating :Nickel Fou all

Contact Area :Gold

Termination Area: Glod Flash

Electrical

1. Current Rating: 1A max.

2. Voltage Rating: 100 VAC.

3. Insulation Resistance: >1000 MΩ at @500VDC

4. Withstand Voltage: 500VAC for 1 minute

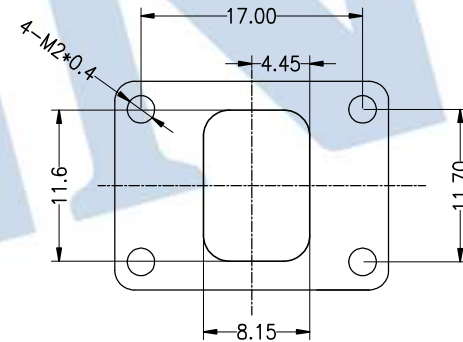
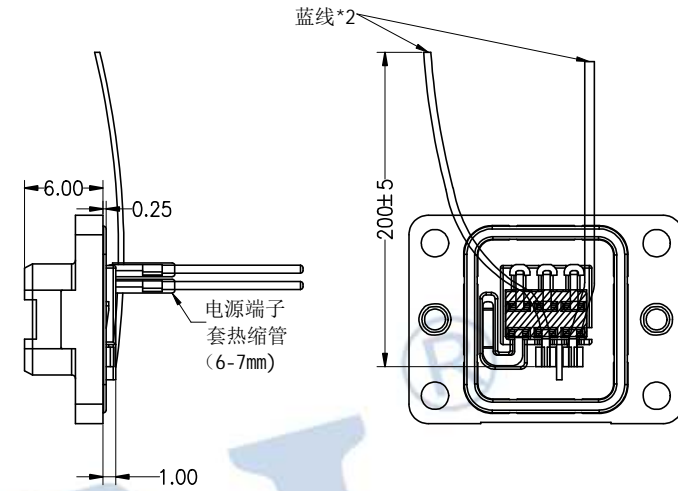
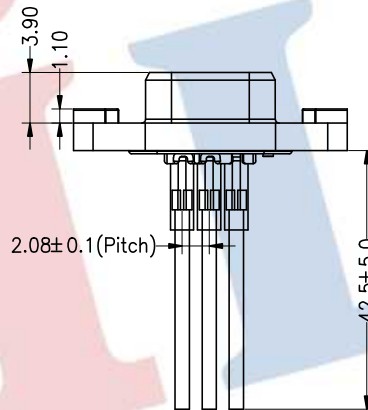
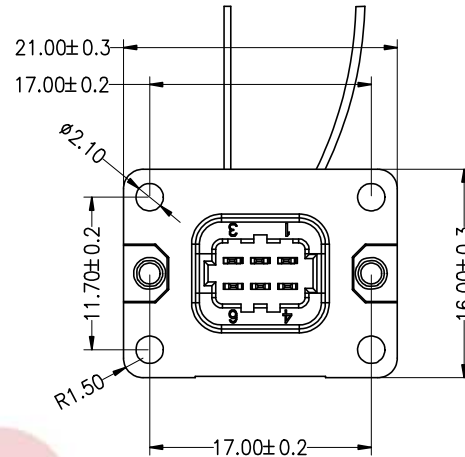
5. Contact Resistance: 10 MΩ MAX

Environmental

1. Operation Temperature: -40°C to +125°C

2. Solder Temperature:

255~265°C For 2-3sec



MOUNTING DIMENSIONS

				OPERATION		DRAW	2023.02.09	Jelly Feng	SCALE	FIT	JILN ® 深圳市锦凌电子有限公司 SHENZHEN JINLING ELECTRONICS CO.,LTD Tel: 86-755-2997-5806/5802 Fax: 86-755-2997-5992	
				X.X	±0.30				UNIT	mm		
						CHECK		SIZE	A4	PART NO. 6353C-06B-AC-W00		
				X.XX	±0.20			SHEET	1/1			
						APPROVE		PROJ.		TITLE: 伺服电机动力焊线式底座小6Pin连接器/带线/带刹车		
				Angle	±3°							
A0	2022.07.18	NEW DRAWING										
REV	DATE	MODIFICATION DESCRIPTION		CHANGE								